

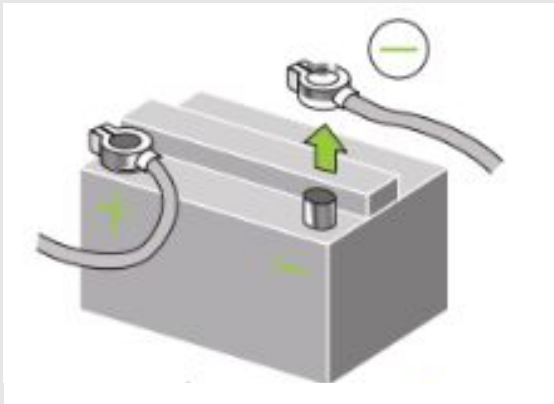


FITTING INSTRUCTIONS

Starter

All Starters

Starter removal and installation



Step 1

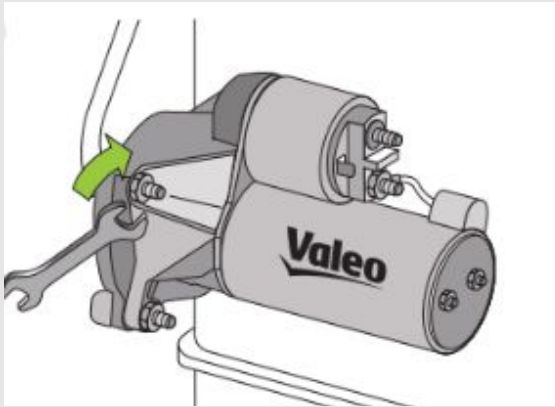
1. Disconnect the negative battery cable.



Step 2

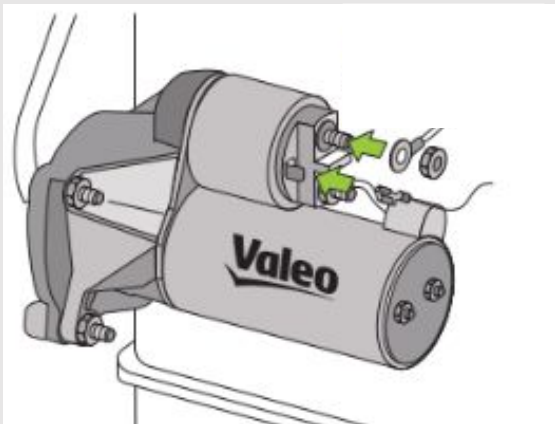
2. Disconnect the starter main power cable then disassemble the starter bolt.





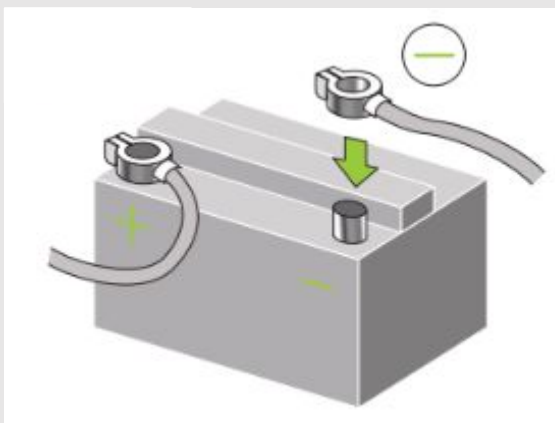
Step 3

3. Assemble the new Valeo starter then fasten the starter bolt.



Step 4

4. Install the starter power cable.



Step 5

5. Connect the battery negative cable.

