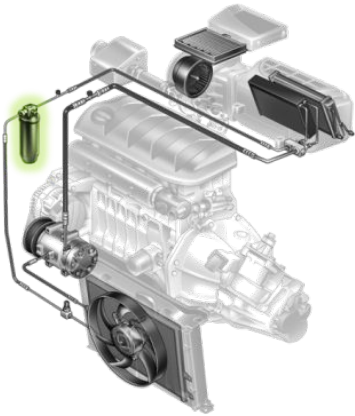


TIPS AND TRICKS

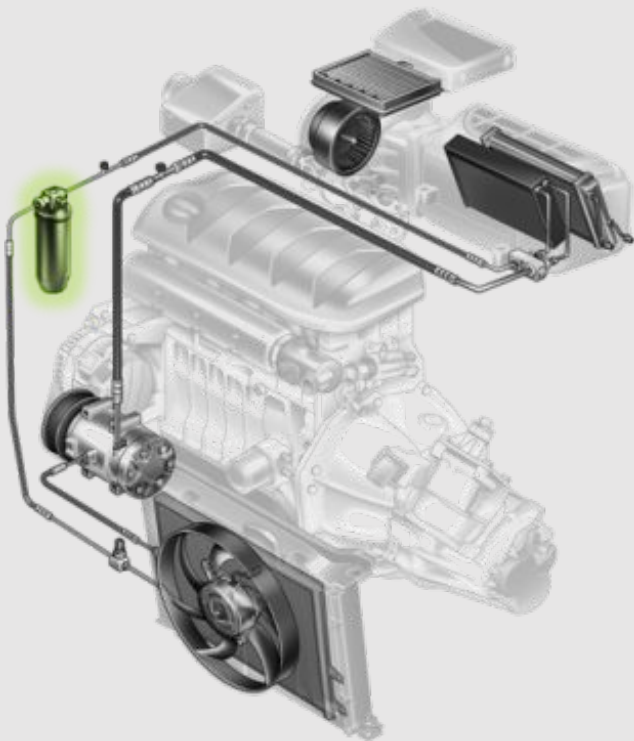
Dryer filter

Application

Vehicles equipped with A/C



Dryer filter



- **Dryer filter** protect the system against **contaminants** and **moisture** which can damage the system.
- **Blocking** any gas residual at the **outlet** from the **condenser**
- **Contents of gas particles** in the liquid supplied to the expansion valve
- **Suction** of a **liquid** part of the **refrigerant** and **oil** which are **deposited** at the bottom of the bottle
- **Circulation** of contaminants and moisture



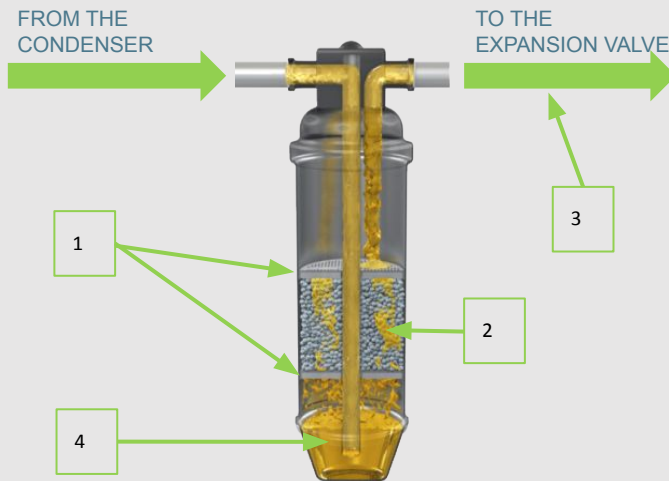
Lorem ipsum dolor
valeoservice.com



Lorem ipsum dolor
0 810 600 606

Smart care for you
valeoservice.com 

Dryer components



S	Item Name
1	Filter cartridges
2	Dryer granules
3	High pressure 100% liquid
4	Liquid under high pressure

Dryer location

Outer On the pipe	Attached to the condenser housing	Integrated with the condenser (Cartridge)

Why/When should we replace the dryer?

- Dryer like **filter**, they filled up and should be replaced.
- Moisture **combines** with the refrigerant to **form acid** which is **very corrosive**.
- Must be **replaced** every **3 years**
- Every time when the system gets **de-pressurised** and air containing water penetrates

